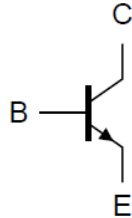
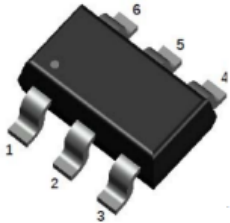


PNP Low VCEsat Transistor

SOT-23-6L



Pin	Symbol	Description
1	C	collector
2	C	collector
3	B	base
4	E	emitter
5	C	collector
6	C	collector

Features

- Ultra low collector-emitter saturation voltage VCEsat
- 3 A continuous collector current capability IC
- Improved device reliability due to reduced heat generation

Application

- Supply line switching circuits
- Battery management applications

Mechanical data

- **Package:** SOT-23-6L
- **Terminals:** Tin plated leads, solderable per J-STD-002 and JESD22-B102

■ Maximum Ratings (Ta=25°C Unless otherwise specified)

Item	Symbol	Unit	Conditions	Value
Device marking code				5350D
Collector-base voltage	V _{CBO}	V	I _C =-100uA, I _E =0	-60
Collector-emitter voltage	V _{CEO}	V	I _C =-10mA, I _B =0	-50
Emitter-base voltage	V _{EBO}	V	I _E =-100uA, I _C =0	-6
Collector current	I _C	A		-3
Peak Collector current	I _{CM}	A	single pulse, tp≤1ms	-5
Peak Base current	I _{BM}	mA	single pulse, tp≤1ms	-1
Power dissipation	P _D ⁽¹⁾	W		1.5
Thermal resistance, junction-to-ambient	R _{θJ-A} ⁽¹⁾	°C/W		83.33
Thermal resistance, junction-to-case	R _{θJ-C} ⁽¹⁾	°C/W		66.66
Junction temperature	T _J	°C		-55 to +150
Storage temperature	T _{STG}	°C		-55 to +150

Note: (1) Device mounted on the 40mm*40mm*1.1mm single layer FR-4 PCB board with 1 in² pad of 2oz. Copper



YJBS5350D

RoHS
COMPLIANT

■ Electrical Characteristics (T_a=25°C Unless otherwise specified)

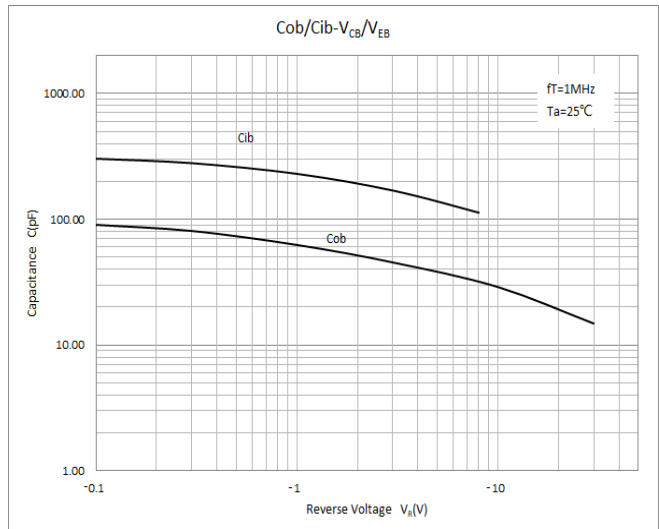
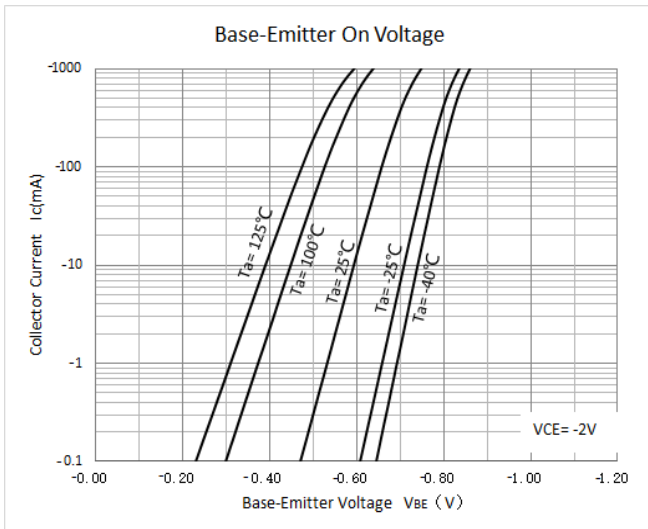
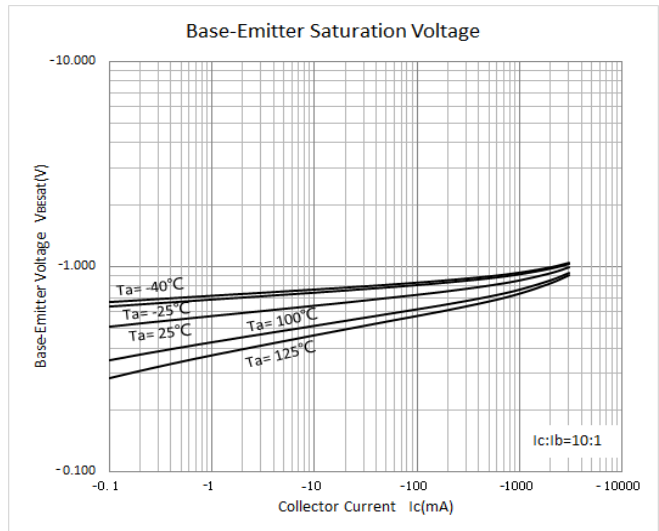
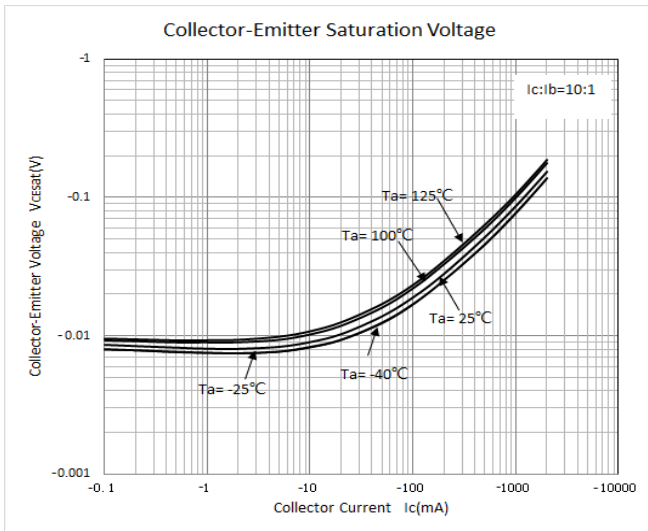
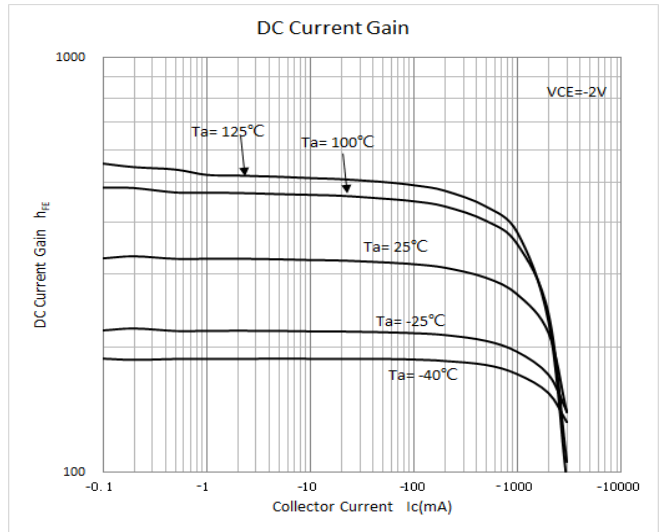
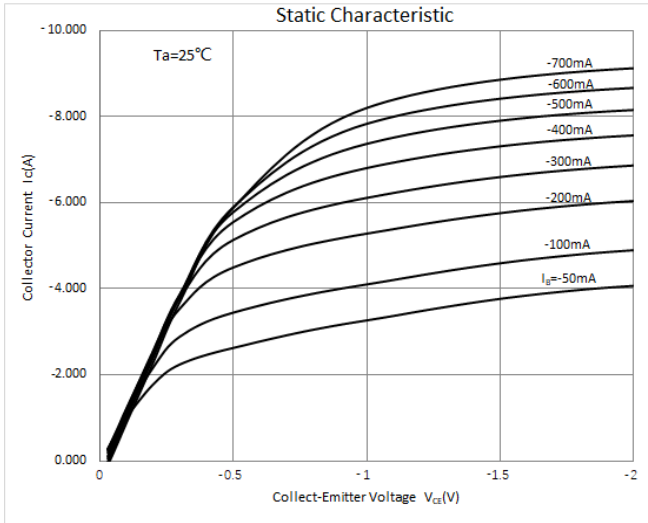
Item	Symbol	Unit	Conditions	Min	Typ	Max
Collector-base breakdown voltage	V _{(BR)CBO}	V	I _C =-100uA, I _E =0	-60		
Collector-emitter breakdown voltage	V _{(BR)CEO}	V	I _C =-10mA, I _B =0	-50		
Emitter-base breakdown voltage	V _{(BR)EBO}	V	I _E =-100uA, I _C =0	-6		
Collector-base cut-off current	I _{CBO}	nA	V _{CB} =-50V I _E =0			-100
Emitter-base cut-off current	I _{EBO}	nA	V _{EB} =-5V I _C =0			-100
Collector Cutoff Current	I _{CES}	nA	V _{CE} =-30V V _{BE} =0			-100
DC current gain	h _{FE}		V _{CE} =-2V I _C =-0.5A	200		
			V _{CE} =-2V I _C =-1A	200		
			V _{CE} =-2V I _C =-2A	100		
Collector-emitter saturation voltage	V _{CE(sat)}	mV	I _C =-0.5A I _B =-50mA			-100
			I _C =-1A I _B =-50mA			-180
			I _C =-2A I _B =-200mA			-300
Collector-emitter saturation resistance	R _{CE(sat)}	mΩ	I _C =-2A I _B =-200mA			150
Base-emitter saturation voltage	V _{BE(sat)}	V	I _C =-2A I _B =-200mA			-1.2
Base-emitter turn-on voltage	V _{BE}	V	V _{CE} =-2V I _C =-1A			-1.1

■ Ordering Information

Preferred P/N	Packing code	Unit weight(mg)	Minimum package(pcs)	Inner box quantity(pcs)	Outer carton quantity(pcs)	Delivery mode
YJBS5350D	F2	Approximate 15.6	3000	30000	120000	7" reel



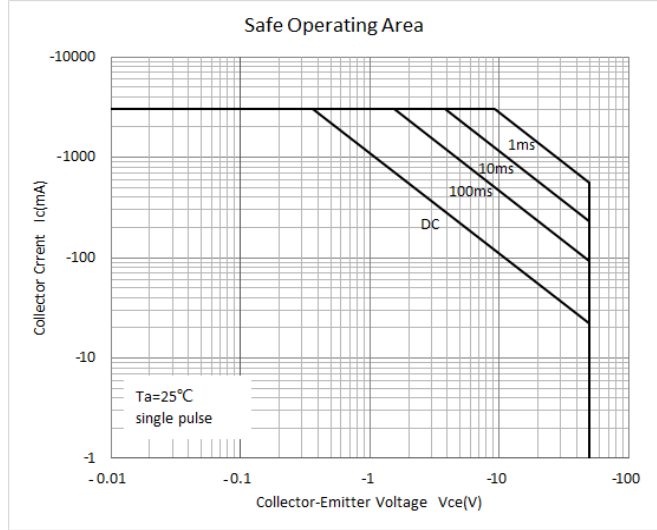
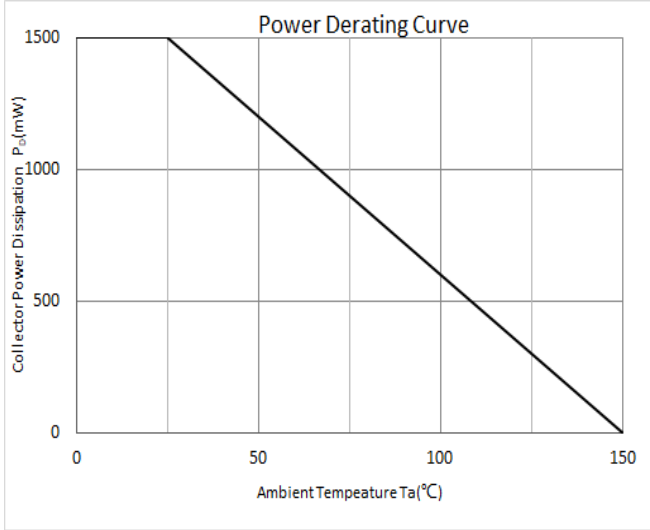
Characteristics





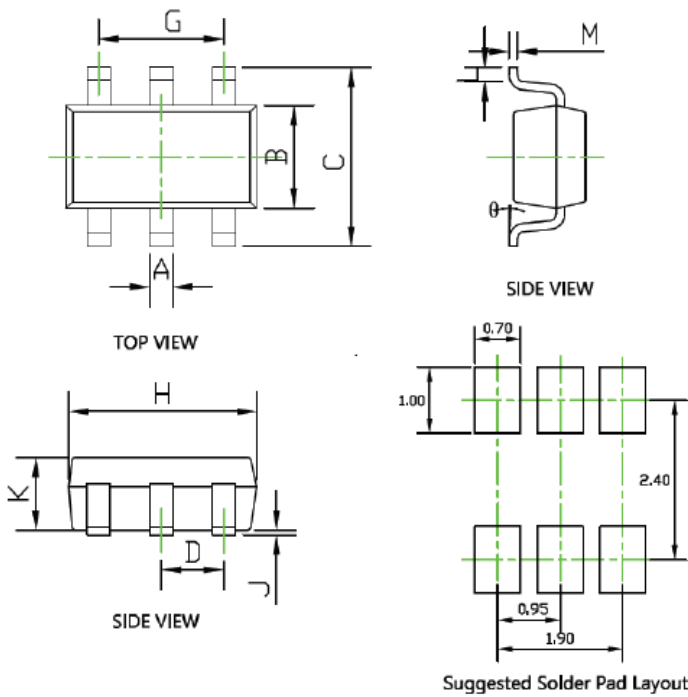
YJBS5350D

RoHS
COMPLIANT



■ Outline Dimensions

SOT-23-6L



SYMBOL	DIMENSIONS			
	INCHES		Millimeter	
	MIN.	MAX.	MIN.	MAX.
A	0.012	0.020	0.300	0.500
B	0.059	0.067	1.500	1.700
C	0.104	0.116	2.650	2.950
D	0.037BSC		0.950BSC	
G	0.075BSC		1.900BSC	
H	0.111	0.119	2.820	3.020
J	0.000	0.004	0.000	0.100
K	0.041	0.045	1.050	1.150
L	0.012	0.024	0.300	0.600
M	0.004	0.008	0.100	0.200
θ	0°	8°	0°	8°

Note:
 1. Controlling dimension in millimeters.
 2. General tolerance: $\pm 0.05\text{mm}$.
 3. The pad layout is for reference purposes only.



YJBS5350D

RoHS
COMPLIANT

Disclaimer

The information presented in this document is for reference only. Yangzhou Yangjie Electronic Technology Co., Ltd. reserves the right to make changes without notice for the specification of the products displayed herein to improve reliability, function, or design or otherwise.

The product listed herein is designed to be used with ordinary electronic equipment or devices, and not designed to be used with equipment or devices which require high level of reliability and the malfunction of which would directly endanger human life (such as medical instruments, transportation equipment, aerospace machinery, nuclear-reactor controllers, fuel controllers and other safety devices), Yangjie or anyone on its behalf, assumes no responsibility or liability for any damages resulting from such improper use of sale.

This publication supersedes & replaces all information previously supplied. For additional information, please visit our website [http:// www.21yangjie.com](http://www.21yangjie.com) , or consult your nearest Yangjie's sales office for further assistance.